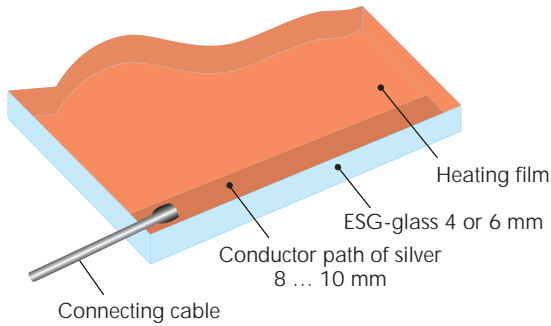


## HVT Hillesheim VitroTherm

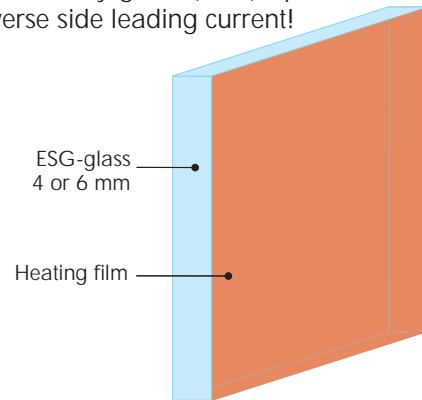
Glass-elements with which one can heat. That was made possible by special development to coat tempered safety glass with a breath-fine heating-material.

### Basic configuration



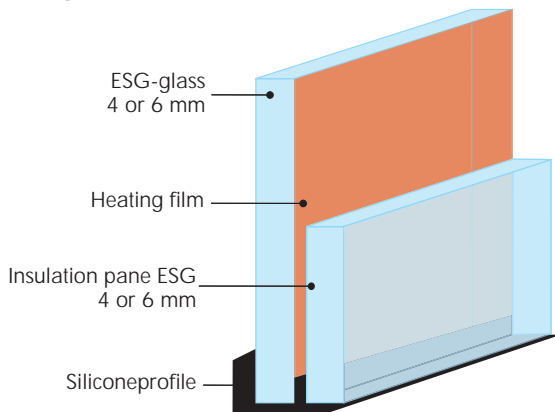
### HVT 1 Basic element

as tempered safety glass (ESG) up to 250°C, reverse side leading current!



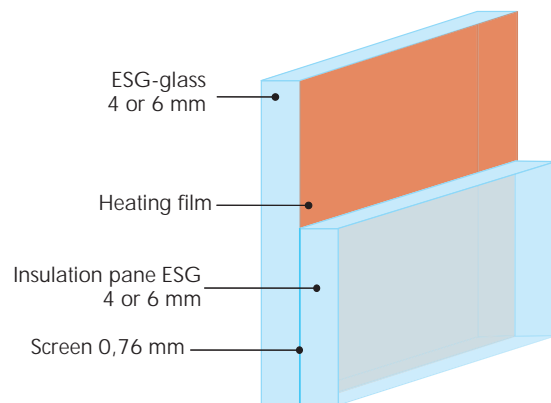
### HVT 2

as HVT 1, however with safety glass insulating pane (ESG) and F-profile up to 200°C



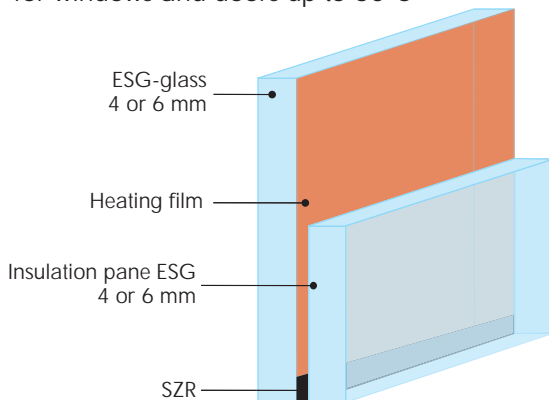
### HVT 3

as compound safety glass (VSG) up to 60°C



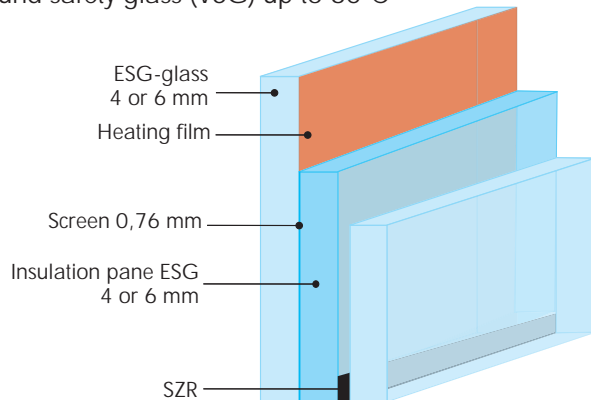
### HVT 4

Heating-pane as insulation glass element for windows and doors up to 60°C



### HVT 5

as HVT 4, however, heating-pane laid out as compound safety glass (VSG) up to 60°C



ESG = single pane tempered safety glass VSG = compound tempered safety glass SZR = distance between panes

## HVT 1 basic element

250 °C

|                                     |   |
|-------------------------------------|---|
| <b>Rated voltage:</b>               | 12 – 400 V AC/DC                                      |
| <b>Power consumption:</b>           | up to 3 KW per m <sup>2</sup>                         |
| <b>Continuous temperature load:</b> | controlled according to construction up to 250°C      |
| <b>Glass thickness:</b>             | 4 - 6 mm, ESG   |
| <b>Light permeability:</b>          | about 75%   |
| <b>Area:</b>                        | from about 0.1 to 4 m <sup>2</sup>                    |
| <b>Weight:</b>                      | 4 mm 10 kg/m <sup>2</sup> , 6 mm 15 kg/m <sup>2</sup> |
| <b>Control:</b>                     | attachment of sensors is possible                     |
| <b>Accessories:</b>                 | controller types freely selectable                    |



### Additional characteristics:

- high transparency
- large scale and uniform heat development
- high heat emission 90 - 95%
- very brief heating up time through high power output with low mass
- high tensile strength through ESG safety glass
- high service life, no measurable wear

### Sample applications:

- flat radiators in many shapes, colours and sizes
- wall and floor heaters, also flush-fitted
- drying ovens
- heat panels
- heated windows or doors
- mist-free windows in cold-storage depots, refrigerated display cabinets, construction machinery
- sight glasses on machines and installations
- additional heating for window ledges, tiled ovens and tiled walls
- heating elements for industry
- heating elements for aquariums and terrariums
- heating elements for indoor swimming pools and hospitals

### Storage programme HVT 1 elements, dimensions in cm, capacity from 1.0 - 3.0 kW according to voltage

25 x 15  
30 x 15  
30 x 30  
50 x 25  
40 x 40  
50 x 50  
50 x 100

## HVT 4 and 5 Insulation glass heating elements

60 °C

|                           |                                    |
|---------------------------|------------------------------------|
| <b>Rated Voltage:</b>     | 50 - 230 V                         |
| <b>Power consumption:</b> | approx. 400 - 800 W/m <sup>2</sup> |
| <b>Temperature:</b>       | max. 60°C                          |
| <b>Glass thickness:</b>   | see construction                   |
| <b>Translucence:</b>      | approx. 80 %                       |
| <b>Area:</b>              | min. 0.1 - max. 4 m <sup>2</sup>   |

